



RIKEN

Specialized manufacturer of the best Wire Rope Pulling Hoist

RX WIRE ROPE WINCH

The Riken Tirfor is a very robust wire rope hoist that can be used vertically, horizontally or at other angles, with a capacity of 800 kg, 1600 kg, 3200 kg and 5400 kg. The shear pin and lever are reliable indicators for overloading.

Standard delivery

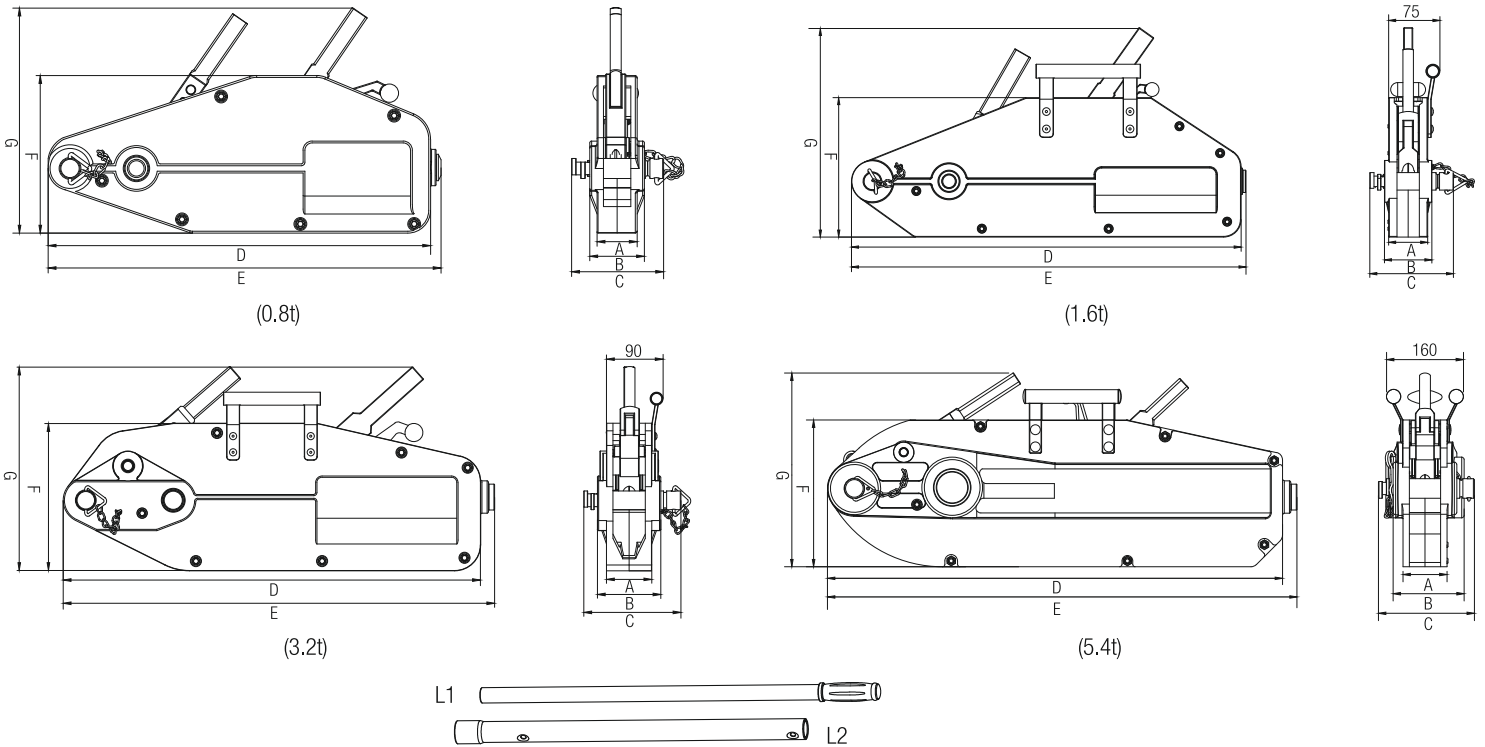
- Excluding wire rope.

Option

- Steel wire rope, standard length is 20 meters.

Norm:

- EN12100-1/2, EN13157, EN13414, EN121385



WIRE ROPE WINCH

Model		RX-800	RX-1600	RX-3200	RX-5400
Rated Lifting Capacity	t	0.8	1.6	3.2	5.4
Rated Pulling Capacity	t	1.2	2.4	4.8	8.1
Rated Forward Handpower	n	343	400	441	745
Rated Forward Travel	mm	≥52	≥55	≥28	≥30
Rope Diameter	mm	8.3	11	16	20
Standard length of wire rope	m	20	20	20	20
Max. Travelling Load	kg	1200	2400	4800	8000
Net weight without cable	kg	6.7	12.3	22.2	56.5
Max Overall Size (mm)	A	44	56	70	90
	B	60	68	98	160
	C	101	120	150	200
	D	420	545	645	935
	E	430	556	666	940
	F	172	200	227	300
	G	240	270	320	410
L1 (cm)		80	80	80	88
L2 (cm)			120	120	135