



RIKEN

Specialized manufacturer of the best Manual Chain Hoist

CX STAINLESS STEEL

CHAIN HOIST

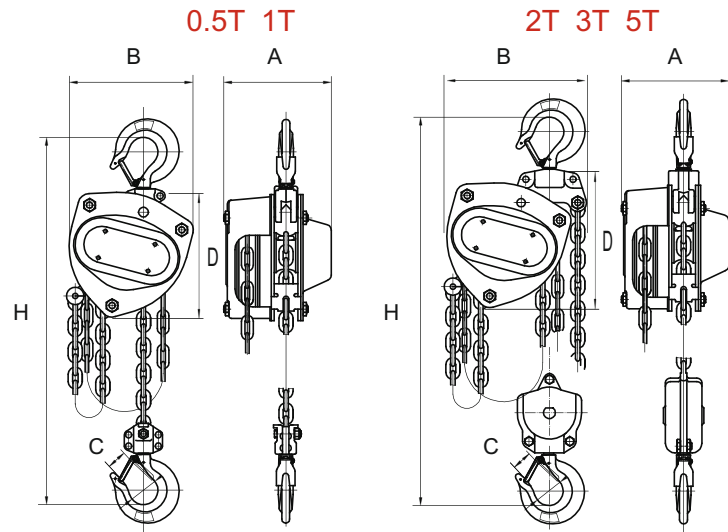
**FREE
SPARE SET
OF LATCHES**

Features

- Stainless Steel Type 304 Construction for Corrosion Resistance
- Fully Enclosed Gearing
- Fully Machined Lift Wheel
- Designed for Lifting or Pulling
- Minimal Load Lifting Effort
- Individual Test Certificate and Serial Number
- Forged Stainless Steel Hooks and Safety Latches
- Stainless Steel Hand & Load Chain
- Weather Proof Load Holding Brake
- All Gears and Shafts Run on Roller Bearings
- Stainless Steel Riveted ID Tags
- Low Headroom

**NEW
2023**

Standards - CE, AS1418.2, ASME B30.21, ASME B30.16



	CX-005	CX-010	CX-020	CX-030	CX-050
Capacity (tons)	0.5	1	2	3	5
Falls of Chain	1	1	1	2	2
Test Load (tons)	0.75	1.5	3	4.5	7.5
Loadchain Diameter (mm)	6	6	8	8	10
Dimensional Information (mm)	A	145	145	175	190
	B	160	160	190	200
	C	27	27	30	35
	D	165	165	190	190
H	370	370	425	530	688
Net Weight (Kgs)	11.5	11.5	17	28	38.5