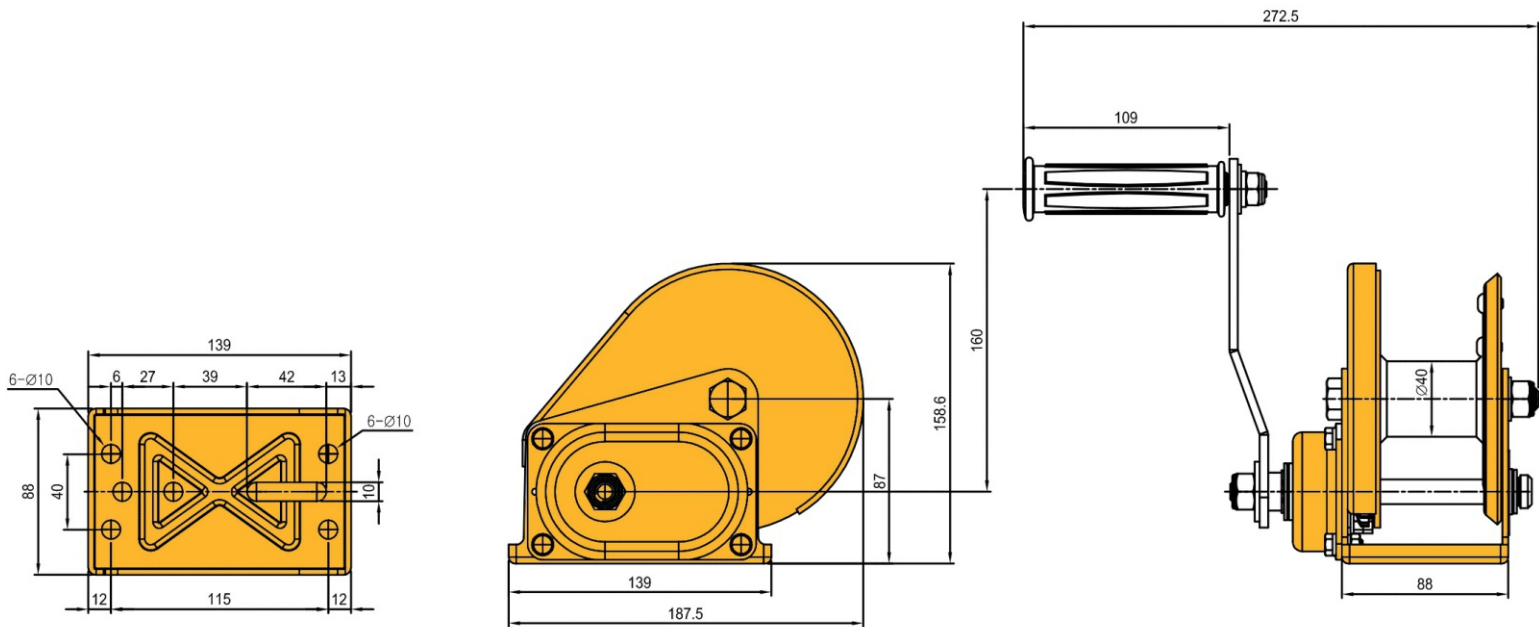




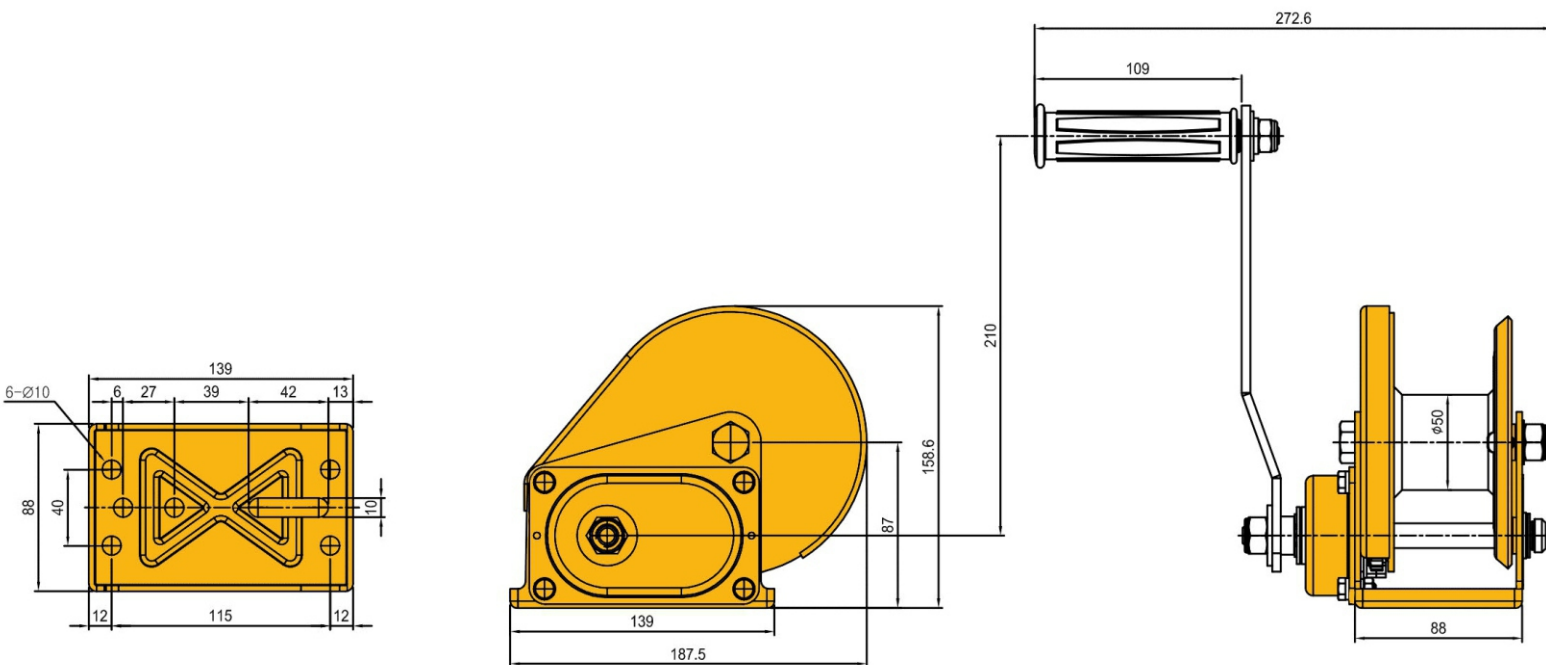
# RIKEN

Specialized manufacturer of the best hand winch

## HM BRAKE HAND WINCH



**HM-800 / HM-800W / HM-800-SS / HM-800W-SS**



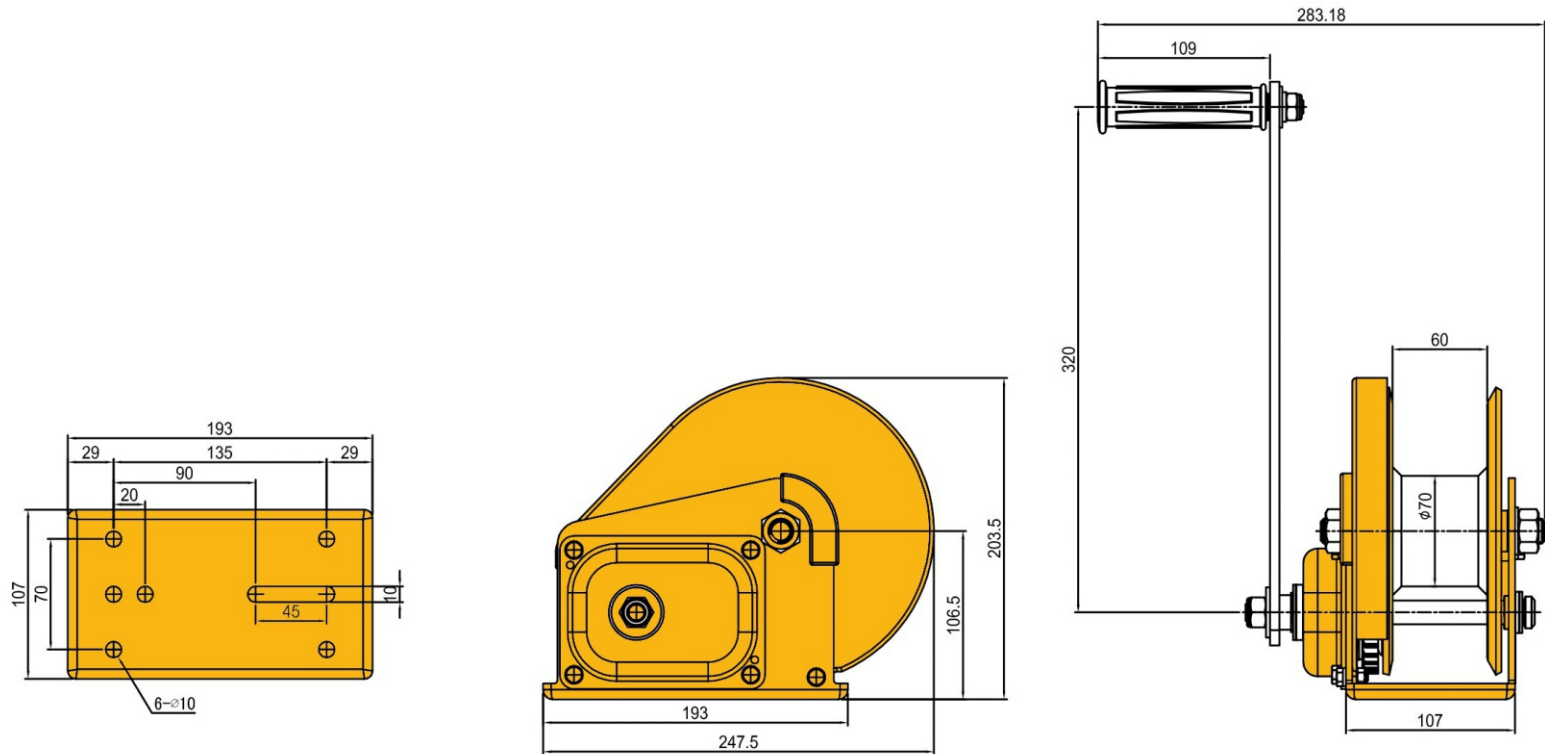
**HM-1200 / HM-1200W / HM-1200-SS / HM-1200W-SS**



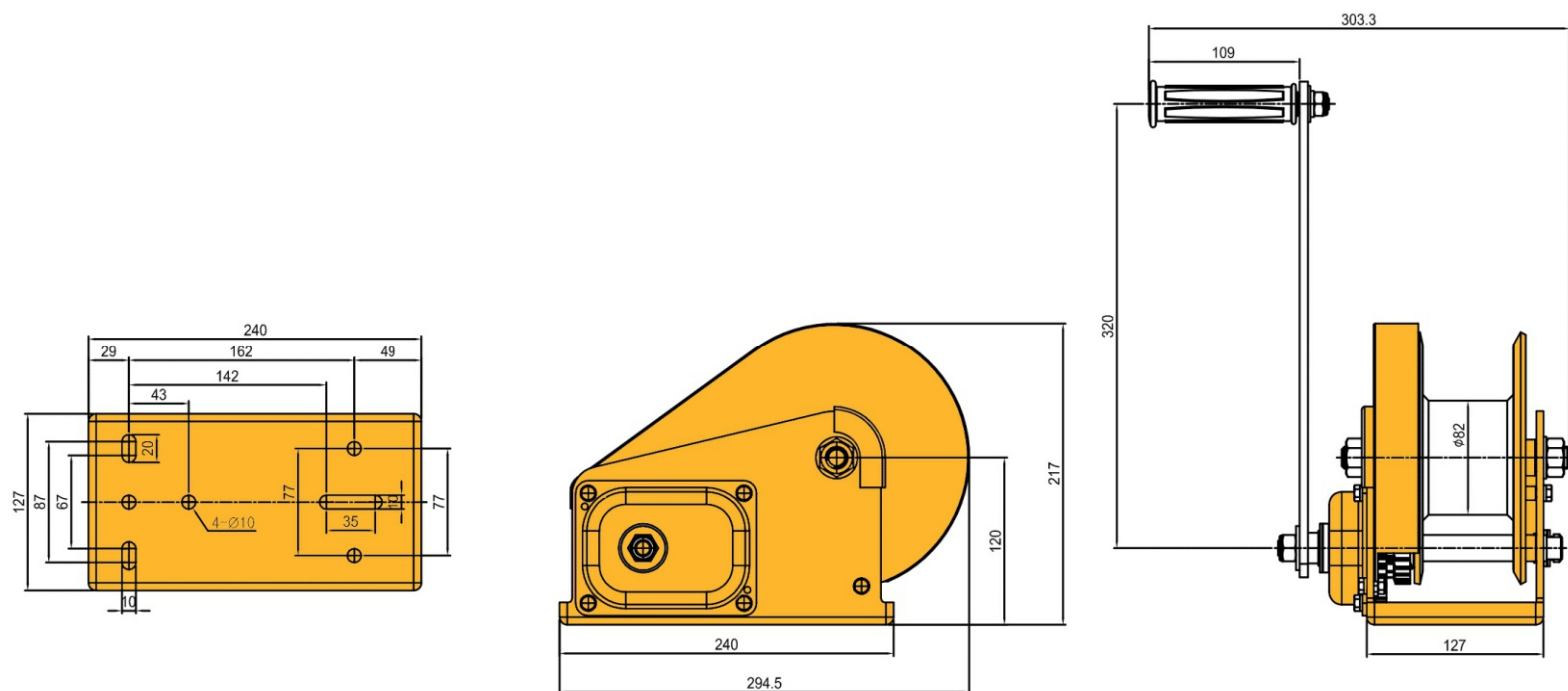
# RIKEN

Specialized manufacturer of the best hand winch

## HM BRAKE HAND WINCH



**HM-1800 / HM-1800W / HM-1800-SS / HM-1800W-SS**



**HM-2600 / HM-2600W / HM-2600-SS / HM-2600W-SS**



# RIKEN

Specialized manufacturer of the best hand winch

## HM BRAKE HAND WINCH

### Specification

#### HM Type ( Without Wire Rope )

Product Code	Pulling Capacity / Lifting Capacity (kg)	Gear Ratio	Unit Weight (kg)
HM-800	360/180	4.2/1	3.5
HM-1200	540/270	4.2/1	3.7
HM-1800	810/405	5/1	8.1
HM-2600	1170/585	10/1	10.3

#### HM-W Type ( With Wire Rope )

Product Code	Pulling Capacity / Lifting Capacity (kg)	Gear Ratio	Unit Weight (kg)	Cable Diameter (mm/m)
HM-800W	360/180	4.2/1	3.5	Ø6 x 8M
HM-1200W	540/270	4.2/1	3.7	Ø6 x 8M
HM-1800W	810/405	5/1	8.1	Ø6 x 15M
HM-2600W	1170/585	10/1	10.3	Ø6 x 30M

#### HM-SS Type ( Stainless Steel Without Wire Rope )

Product Code	Pulling Capacity / Lifting Capacity (kg)	Gear Ratio	Unit Weight (kg)
HM-800-SS	360/180	4.2/1	3.5
HM-1200-SS	540/270	4.2/1	3.7
HM-1800-SS	810/405	5/1	8.1
HM-2600-SS	1170/585	10/1	10.3

#### HM-W-SS Type ( Stainless Steel With Wire Rope )

Product Code	Pulling Capacity / Lifting Capacity (kg)	Gear Ratio	Unit Weight (kg)	Cable Diameter (mm/m)
HM-800W-SS	360/180	4.2/1	3.5	Ø6 x 8M
HM-1200W-SS	540/270	4.2/1	3.7	Ø6 x 8M
HM-1800W-SS	810/405	5/1	8.1	Ø6 x 15M
HM-2600W-SS	1170/585	10/1	10.3	Ø6 x 30M