



# RIKEN

Specialized manufacturer of the best Beam Clamp

## BEAM CLAMP

### ▪ R-BC Type

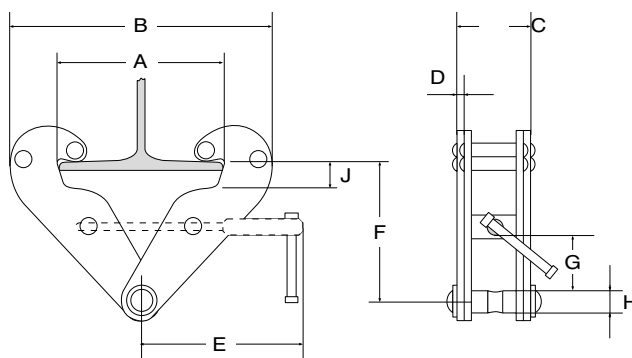
For safe lifting and moving of steel beams or as a fixed suspension point.

#### Properties

- Low constructional height.
- Easy mounting due to the spindle.
- Suitable for both IPE or INP steel beams.
- Safetyfactor: 4 x rated load capacity.
- Allen screw for extra safety.

#### Norm:

- EN12100-1/2, EN13155, AS4991, ASME-B30,20



Model	Wll (kg)	Jaw opening (mm)	a max (mm)	B max (mm)	B min (mm)	c (mm)	D (mm)	e (mm)	F max (mm)	F min (mm)	G (mm)	H (mm)	J (mm)	Weight (kg)
R-BC-1	1000	75 - 220	270	370	183	94	4	198	154	100	22	21	23	4
R-BC-2	2000	75 - 220	270	370	183	102	6	198	154	100	22	21	23	5
R-BC-3	3000	80 - 320	355	500	243	132	8	263	219	148	46	23	35	8
R-BC-5	5000	80 - 320	355	500	243	142	10	263	219	148	43	29	35	11.5
R-BC-10	10000	90 - 320	364	521	269	180	12	285	239	165	51	39	35	16.5

### ▪ R-BCO Type

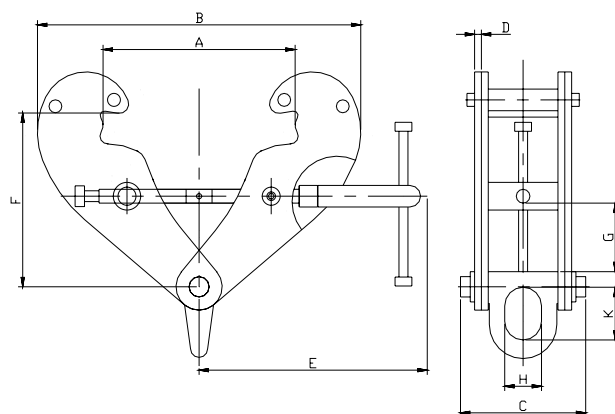
For lifting and transportation of beams or as fixed suspension points.

#### Properties

- Equipped with suspension eye.
- Locking spindle by means of Allen screw for extra safety.
- Easy assembly by spindle.
- Suitable for IPE and INP bars.
- Safety factor 4 x WLL.

#### Norm:

- EN12100-1/2, EN13155, AS4991, ASME-B30,20



Type	Wll (kg)	Jaw opening (mm)	a max (mm)	B min (mm)	B max (mm)	c (mm)	D (mm)	e (mm)	F max (mm)	F min (mm)	G (mm)	H (mm)	K (mm)	Weight (kg)
R-BCO-1	1000	75-220	270	183	370	94	4	218	100	154	18	28	43	4.0
R-BCO-2	2000	80-320	270	183	370	102	6	218	100	154	18	28	43	5.0
R-BCO-3	3000	80-320	355	243	500	132	8	276	148	219	40	43	60	10.0
R-BCO-5	5000	80-320	355	243	500	142	10	276	148	219	40	43	60	12.0
R-BCO-10	10000	80-350	364	269	521	180	12	301	165	239	47	62	91	18.5