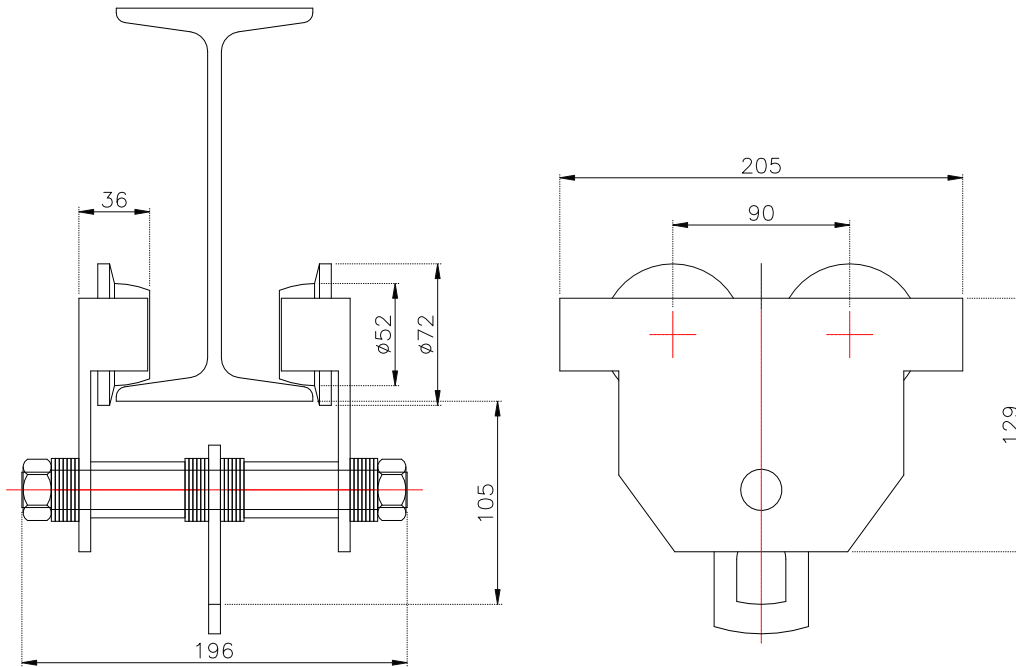




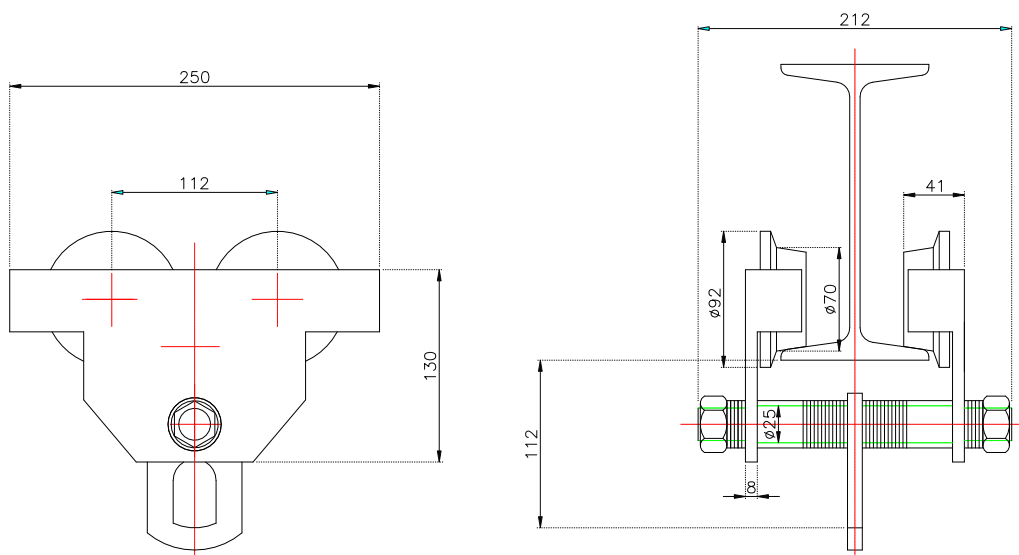
RIKEN

Specialized manufacturer of the best Plain/ Geared Trolley

TSP PLAIN TROLLEY



MODEL	TSP-005
CAPACITY	0.5 Ton
Min. RADIUS of CURVE	900 mm
TEST LOAD	0.75 Ton
NET WEIGHT	7 kg
BEAM WIDTH	64 ~ 140 mm



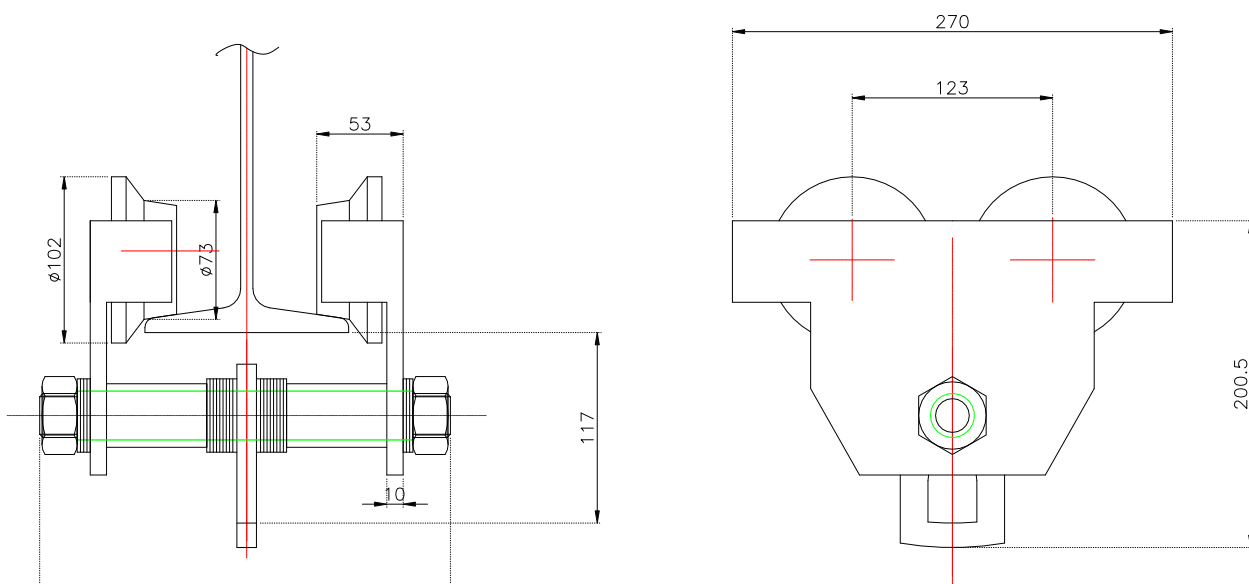
MODEL	TSP-010
CAPACITY	1 Ton
Min. RADIUS of CURVE	1000 mm
TEST LOAD	1.5 Ton
NET WEIGHT	12 kg
BEAM WIDTH	64 ~ 140 mm



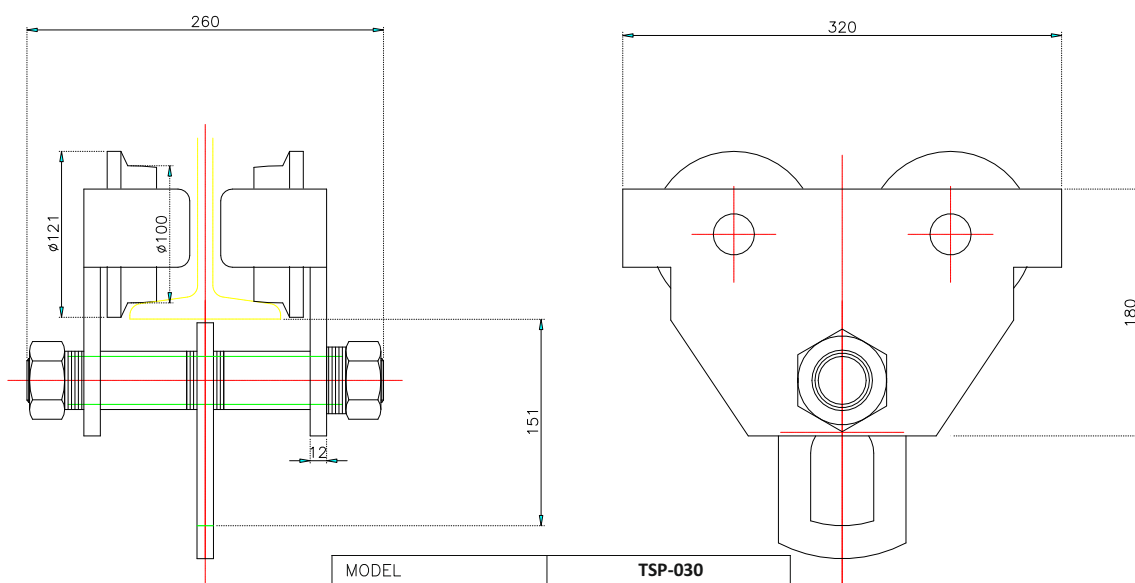
RIKEN

Specialized manufacturer of the best Plain/ Geared Trolley

TSP PLAIN TROLLEY



MODEL	TSP-020
CAPACITY	2 Ton
Min. RADIUS of CURVE	1100 mm
TEST LOAD	3 Ton
NET WEIGHT	22 kg
BEAM WIDTH	76~165 mm



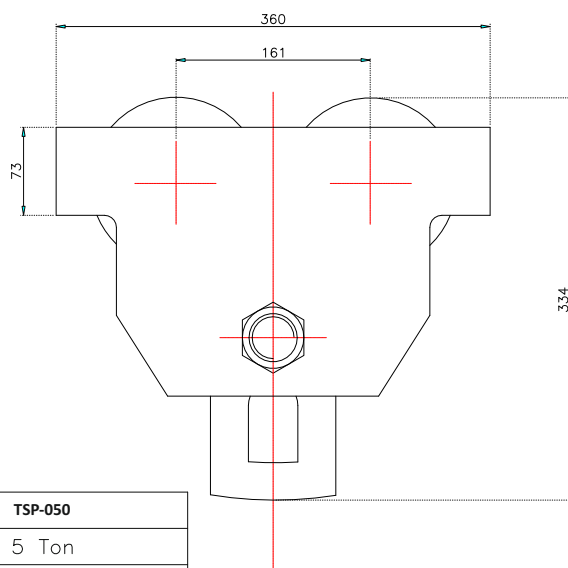
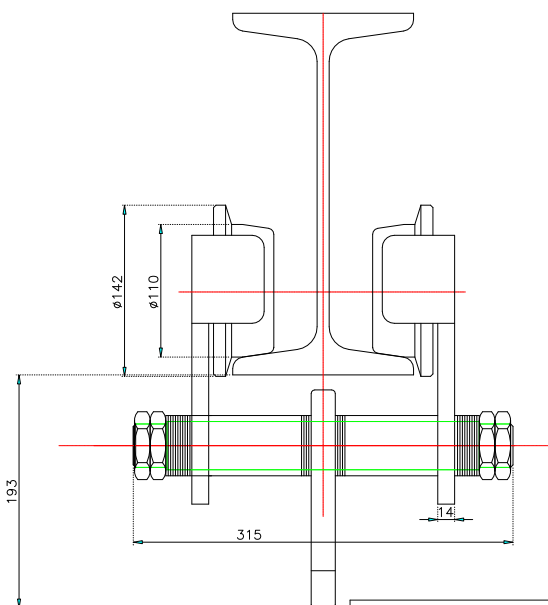
MODEL	TSP-030
CAPACITY (Ton)	3 Ton
Min. RADIUS of CURVE	1300 mm
TEST LOAD	4.5 Ton
NET WEIGHT (kg)	30
BEAM WIDTH(mm)	76~203 mm



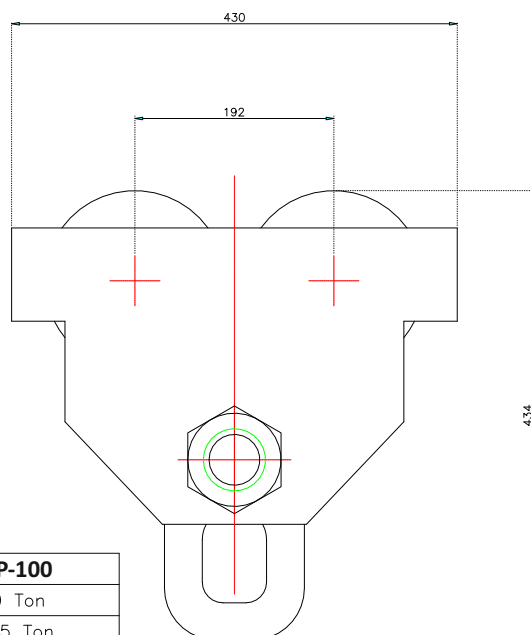
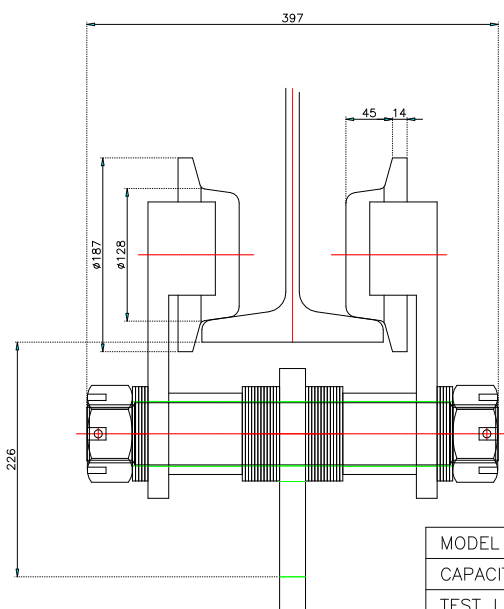
RIKEN

Specialized manufacturer of the best Plain/ Geared Trolley

TSP PLAIN TROLLEY



MODEL	TSP-050
CAPACITY	5 Ton
TEST LOAD	7.5 Ton
Min, RADIUS of CURVE	1400mm
NET WEIGHT	55 kg
BEAM WIDTH	88 ~ 203 mm



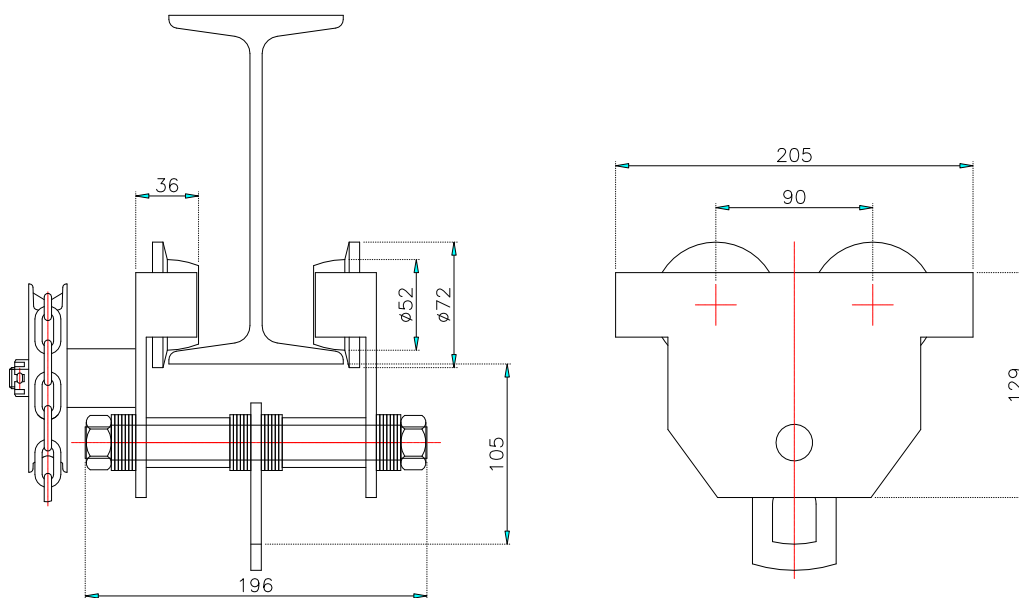
MODEL	TSP-100
CAPACITY	10 Ton
TEST LOAD	12.5 Ton
Min, RADIUS of CURVE	1700mm
NET WEIGHT	93 kg
BEAM WIDTH	125 ~ 203 mm



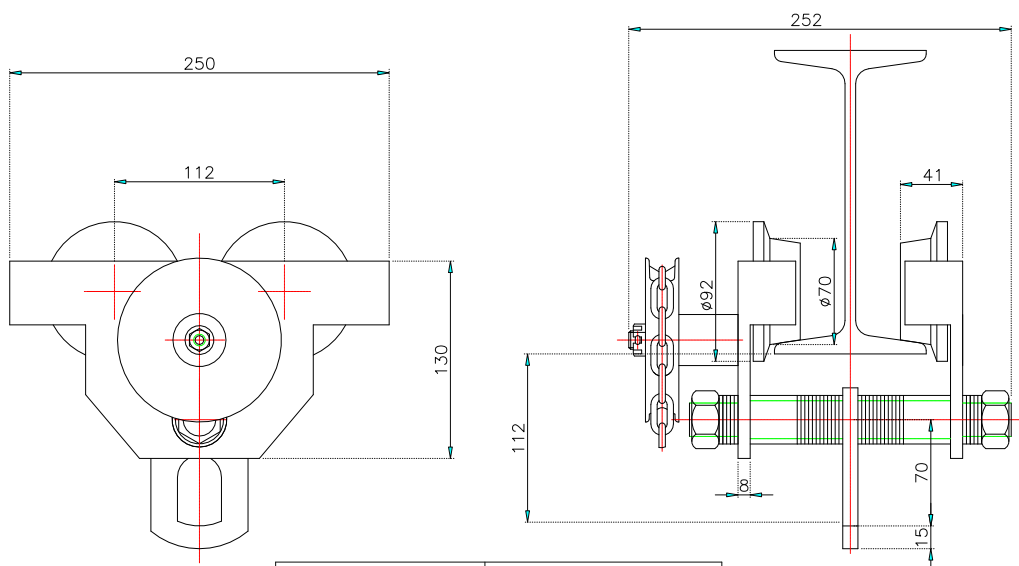
RIKEN

Specialized manufacturer of the best Plain/ Geared Trolley

TSG GEARED TROLLEY



MODEL	TSG-005
CAPACITY	0.5 Ton
STANDARD LIFT (m)	3m (STANDARD)
HAND CHAIN	ø5.0xP25mm (413g/m)
Min. RADIUS of CURVE	900 mm
TEST LOAD	0.75 Ton
NET WEIGHT	10 kg
BEAM WIDTH	64 ~ 140 mm



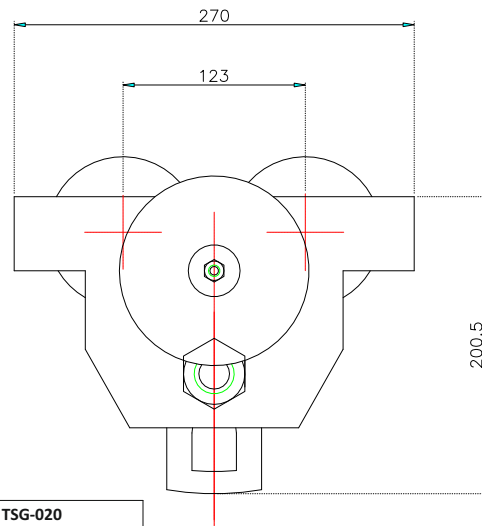
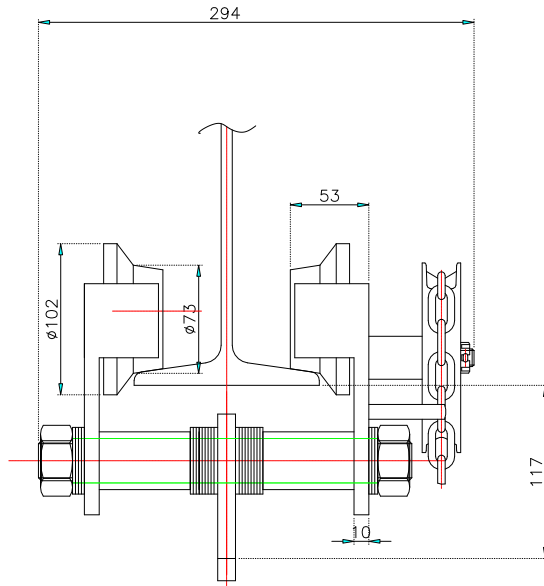
MODEL	TSG-010
CAPACITY	1 Ton
STANDARD LIFT (m)	3 m (STANDARD)
HAND CHAIN	ø5.0xP25mm (413g/m)
Min. RADIUS of CURVE	1000 mm
TEST LOAD	1.5 Ton
NET WEIGHT	19 kg
BEAM WIDTH	64 ~ 140 mm



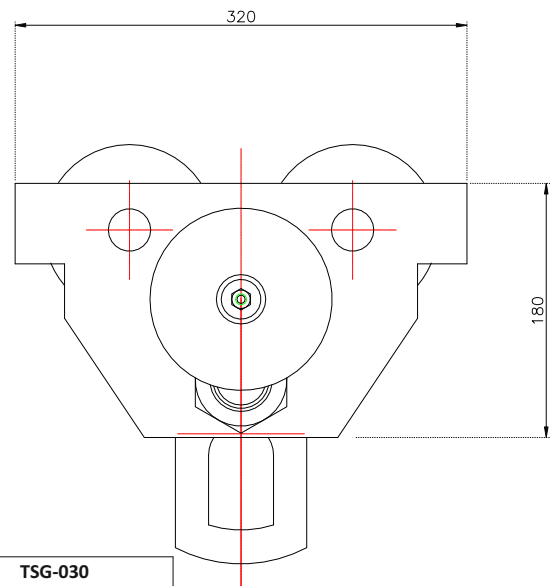
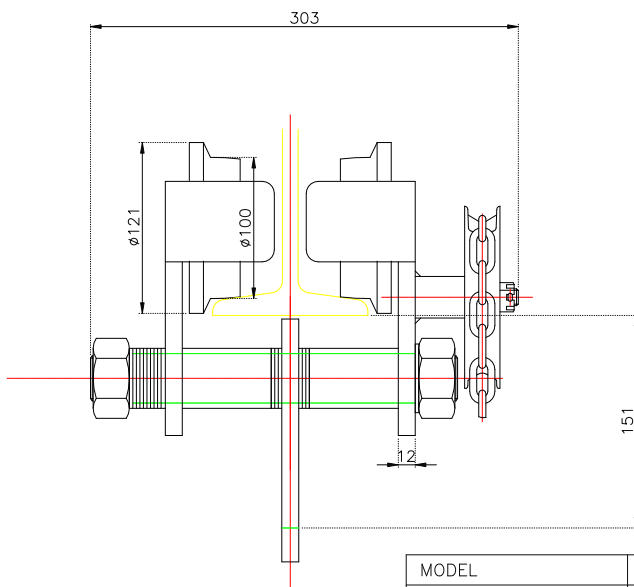
RIKEN

Specialized manufacturer of the best Plain/ Geared Trolley

TSG GEARED TROLLEY



MODEL	TSG-020
CAPACITY	2 Ton
STANDARD LIFT (m)	3 m (STANDARD)
HAND CHAIN	$\phi 5.0 \times P25 \text{mm}$ (413g/m)
Min. RADIUS of CURVE	1100 mm
TEST LOAD	3 Ton
NET WEIGHT	29 kg
BEAM WIDTH	76~165 mm



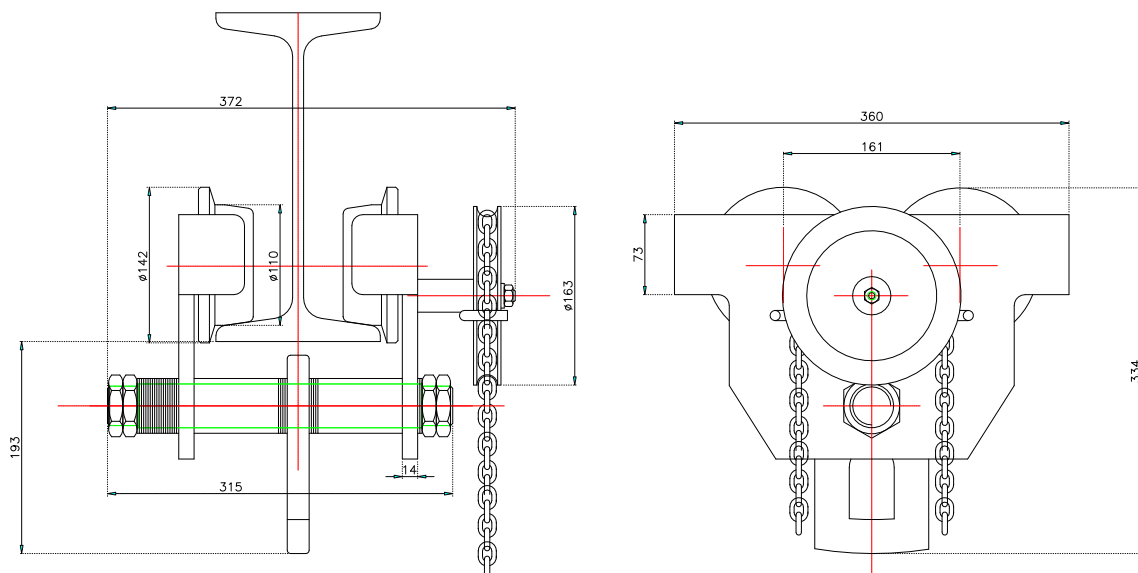
MODEL	TSG-030
CAPACITY (Ton)	3 Ton
STANDARD LIFT (m)	3.0
HAND CHAIN	$\phi 5.0 \times P25 \text{mm}$ (413g/m)
Min. RADIUS of CURVE	1300 mm
TEST LOAD	4.5 Ton
NET WEIGHT (kg)	40
BEAM WIDTH(mm)	76~203 mm



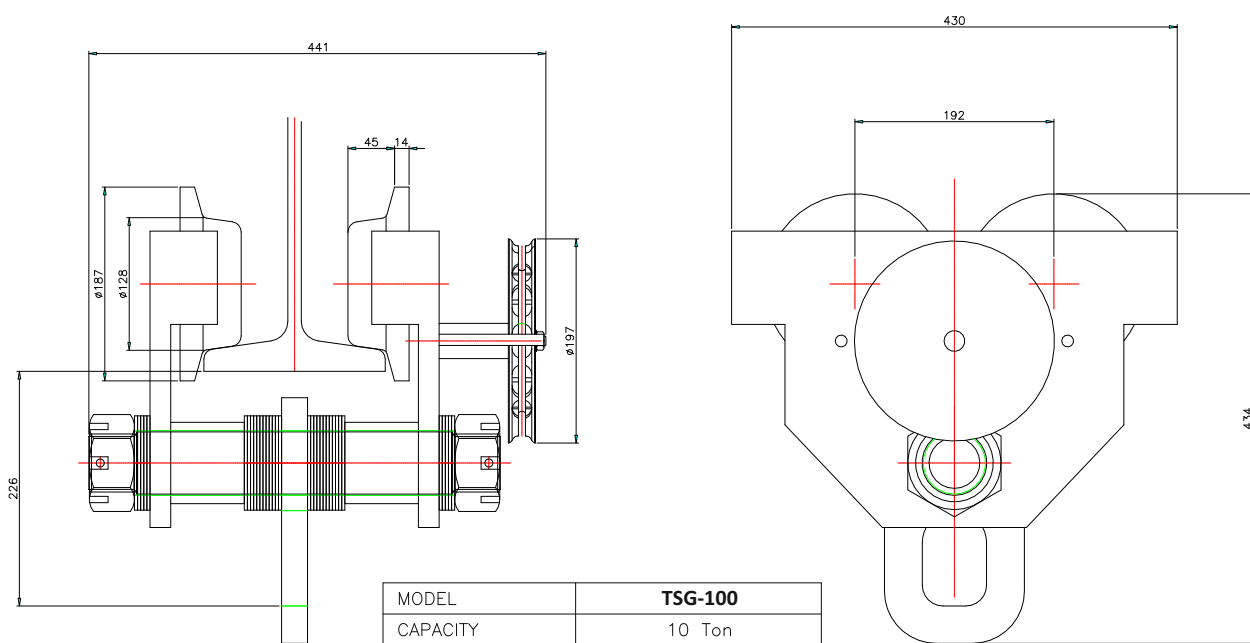
RIKEN

Specialized manufacturer of the best Plain/ Geared Trolley

TSG GEARED TROLLEY



MODEL	TSG-050
CAPACITY	5 Ton
TEST LOAD	7.5 Ton
HAND CHAIN	ø5.0xP25mm (413g/m)
Min, RADIUS of CURVE	1400mm
NET WEIGHT	65 kg
BEAM WIDTH	88 ~ 203 mm



MODEL	TSG-100
CAPACITY	10 Ton
TEST LOAD	12.5 Ton
HAND CHAIN	ø5.0xP25mm (413g/m)
Min, RADIUS of CURVE	1700mm
NET WEIGHT	103 kg
BEAM WIDTH	125 ~ 203 mm